

TECHNICAL DATA SHEET

tillex®

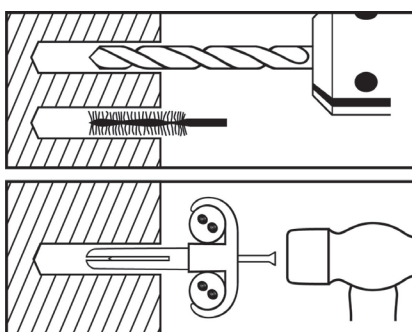
PLUGS CLIPS DOUBLE, ROUND LEAD

Plastmaterial: High impact elastic polypropylene - halogen free and UV-stabilized.
Nail: Hardened steel nails, mechanically zinc plated (10mu), **Corrosion Class C4.**
 Can be installed both indoors and outdoors.

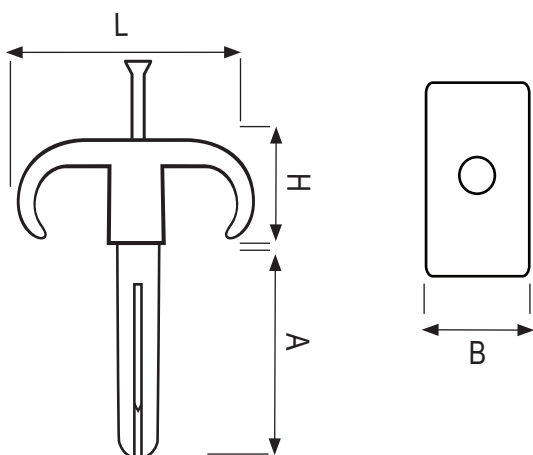


INSTALLATION

- For installation on flat surfaces.
- Drill hole with 5.5-6 mm drill, mount plugs clip and hit the nail in.
- Suitable for brick and concrete.



DIMENSIONS



PRODUCT RANGE (XXL BUCKET)

Ref. nr.	Type	Nail. mm	Colour	Dim.L, mm	Dim. B, mm	Dim. H, mm	Dim. A, mm	Drill Ø, mm	Pieces/box
107403	PC-D 14-18 C	2,5x40	clear	37,3	13,9	17,8	21,1	5,5-6 mm	800
107410	PC-D 14-18 W	2,5x40	white	37,3	13,9	17,8	21,1	5,5-6 mm	800
107427	PC-D 14-18 G	2,5x40	grey	37,3	13,9	17,8	21,1	5,5-6 mm	800
107434	PC-D 14-18 DG	2,5x40	dark grey	37,3	13,9	17,8	21,1	5,5-6 mm	800
109414	PC-D 18-22 C	2,5x45	clear	46,2	13,8	22,8	21,2	5,5-6 mm	600
109407	PC-D 18-22 W	2,5x45	white	46,2	13,8	22,8	21,2	5,5-6 mm	600
109438	PC-D 18-22 G	2,5x45	grey	46,2	13,8	22,8	21,2	5,5-6 mm	600
109445	PC-D 18-22 DG	2,5x45	dark grey	46,2	13,8	22,8	21,2	5,5-6 mm	600