

TECHNICAL DATA SHEET

tillex®

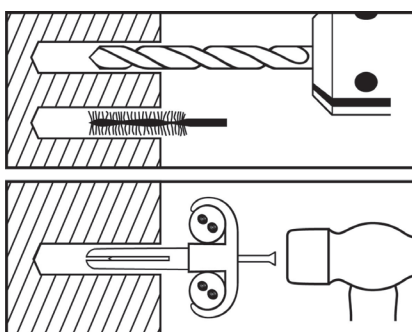
PLUGS CLIPS DOUBLE, ROUND LEAD

Plastmaterial: High impact elastic polypropylene - halogen free and UV-stabilized.
Nail: Hardened steel nails, mechanically zinc plated (10mu), **Corrosion Class C4.**
 Can be installed both indoors and outdoors.

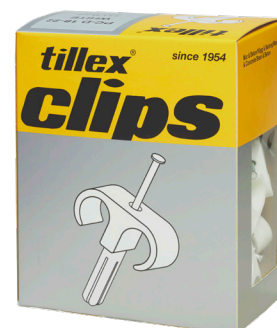
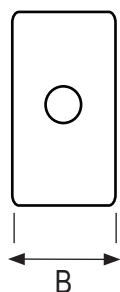
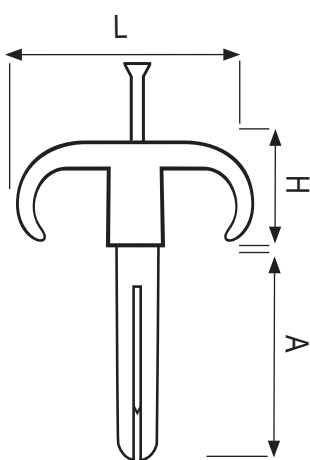


INSTALLATION

- For installation on flat surfaces.
- Drill hole with 5.5-6 mm drill, mount plugs clip and hit the nail in.
- Suitable for brick and concrete.



DIMENSIONS



PRODUCT RANGE (BOXES)

Ref. nr.	Type	Nail. mm	Colour	Dim.L, mm	Dim. B, mm	Dim. H, mm	Dim. A, mm	Drill Ø, mm	Pieces/box
106406	PC-D 14-18 C	2,5x40	clear	37,3	13,9	17,8	21,1	5,5-6 mm	60
106413	PC-D 14-18 W	2,5x40	white	37,3	13,9	17,8	21,1	5,5-6 mm	60
106420	PC-D 14-18 G	2,5x40	grey	37,3	13,9	17,8	21,1	5,5-6 mm	60
106437	PC-D 14-18 DG	2,5x40	dark grey	37,3	13,9	17,8	21,1	5,5-6 mm	60
108417	PC-D 18-22 C	2,5x45	clear	46,2	13,8	22,8	21,2	5,5-6 mm	40
108400	PC-D 18-22 W	2,5x45	white	46,2	13,8	22,8	21,2	5,5-6 mm	40
108431	PC-D 18-22 G	2,5x45	grey	46,2	13,8	22,8	21,2	5,5-6 mm	40
108448	PC-D 18-22 DG	2,5x45	dark grey	46,2	13,8	22,8	21,2	5,5-6 mm	40